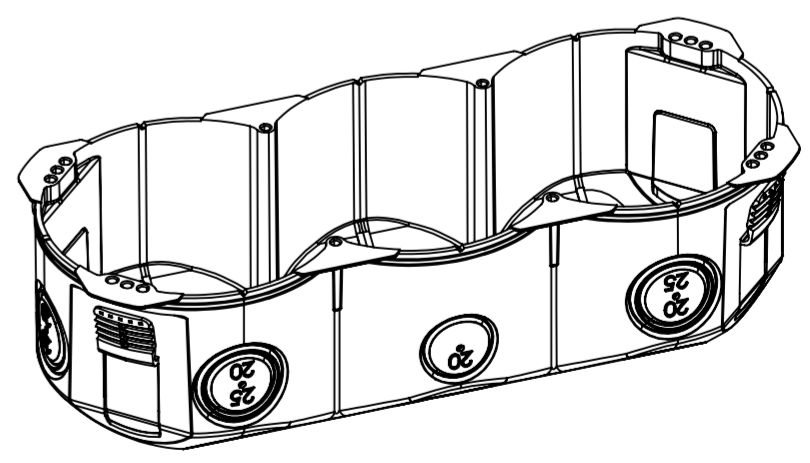
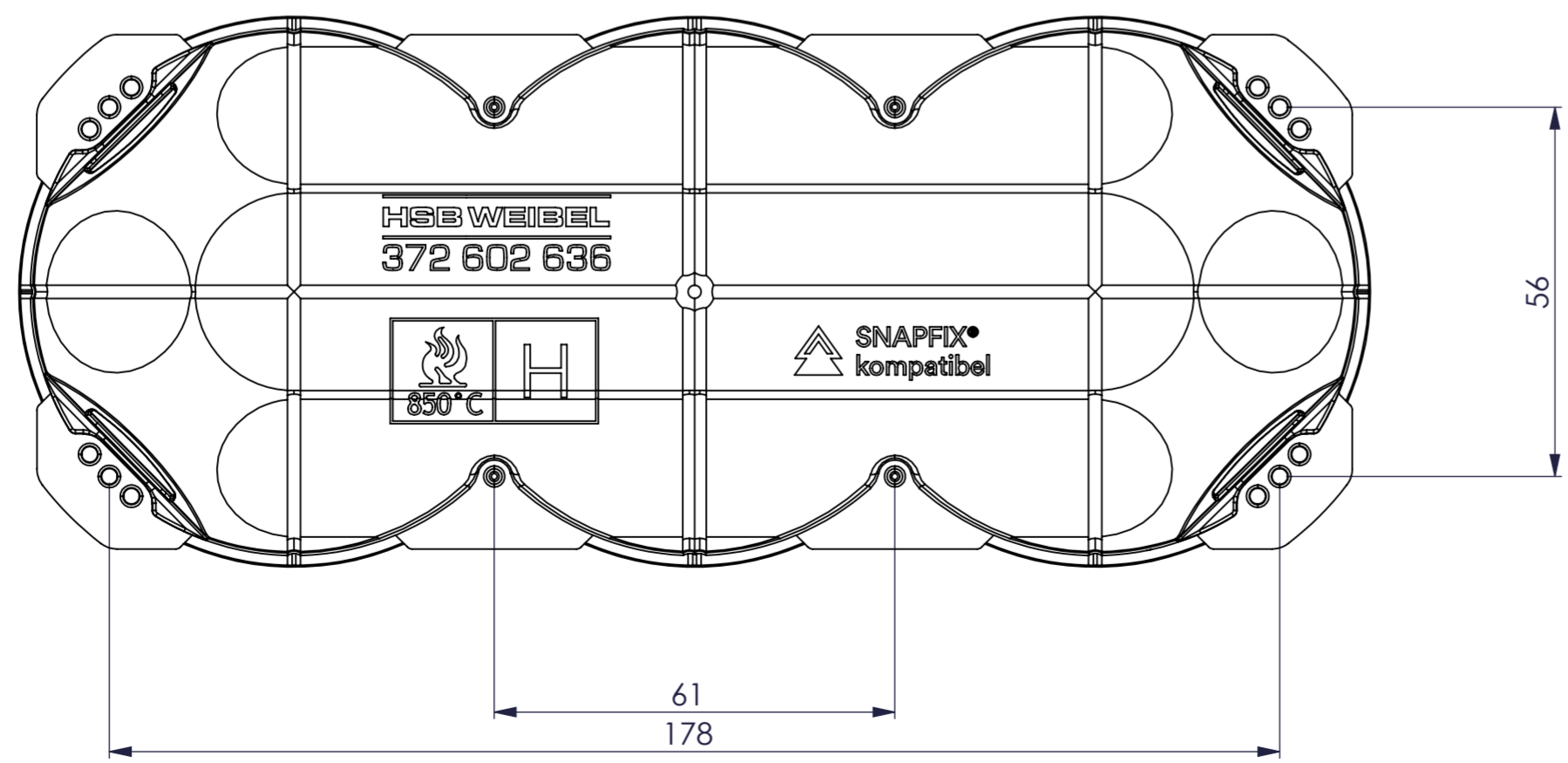
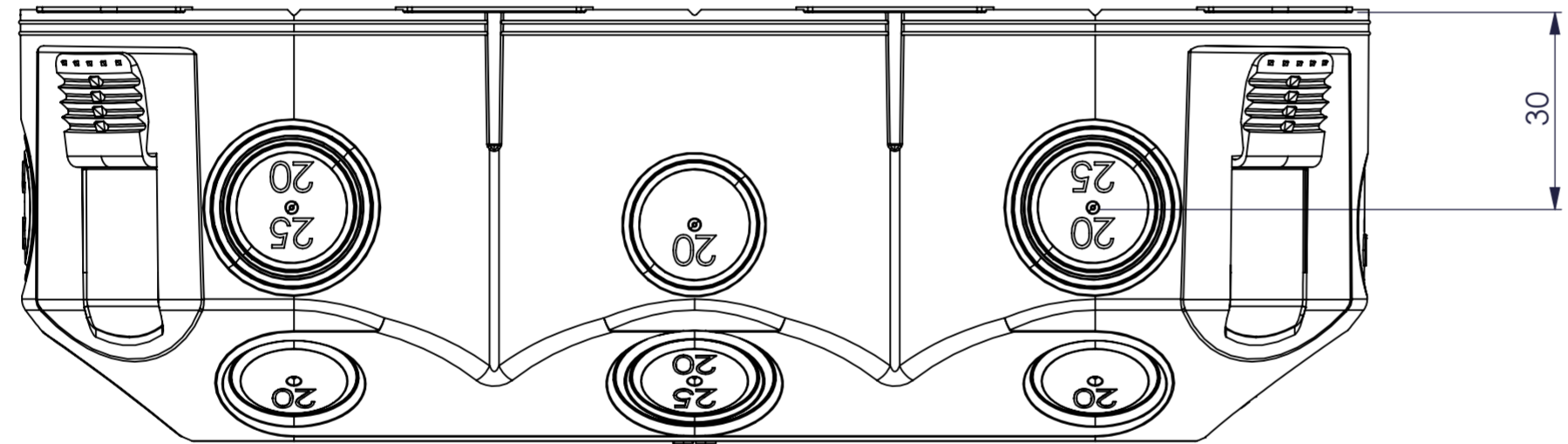
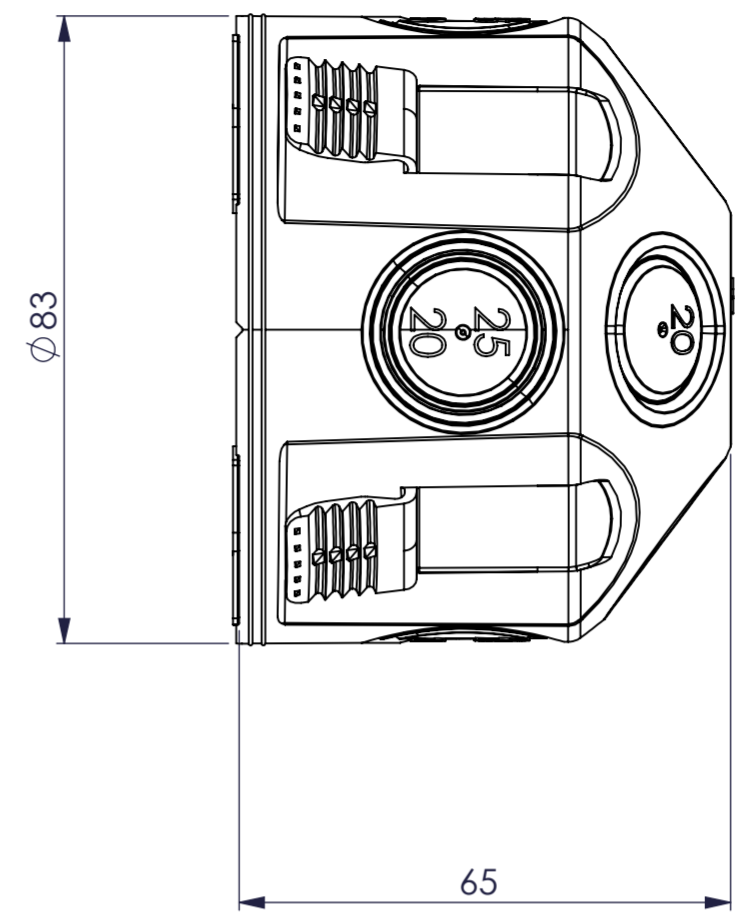
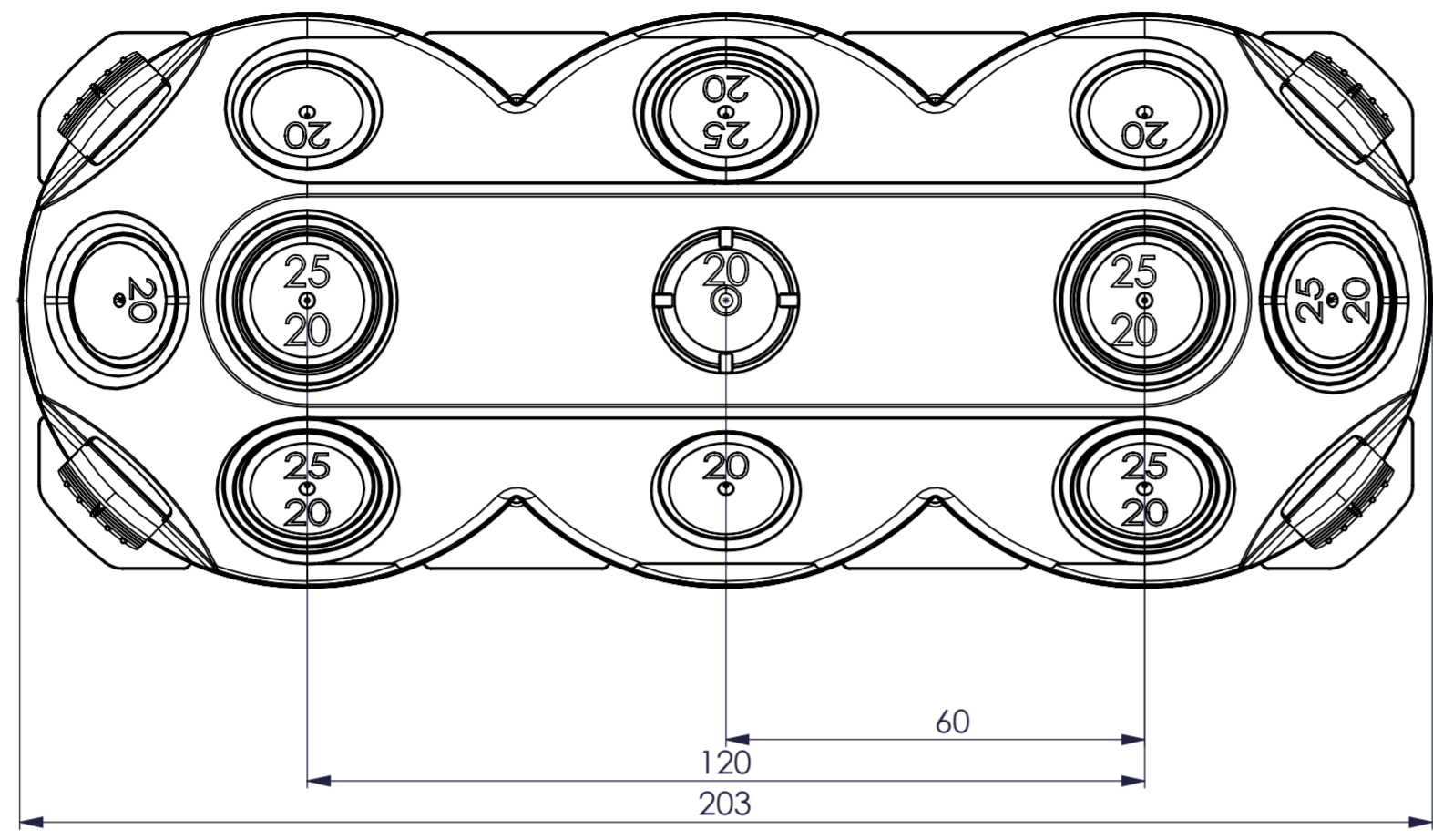


12 11 10 9 8 7 6 5 4 3 2 1

H  
G  
F  
E  
D  
C  
B  
A



1:2

Bohrungsdurchmesser 83mm

<b>HSB WEIBEL</b>		HSB Hohlwanddose D83 Basic 3x1 65mm			
We reserve all intellectual property rights in connection with this document		Name			
created by	07.12.2023	STT	1:1 Scale	DWG	372 602 636
approved by	07.12.2023	STT			
A2 Sheet		Doc-Code		Part Number	Revision

12 11 10 9 8 7 6 5 4 3 2 1