

12

11

10

9

8

7

6

5

4

3

2

1

H

G

F

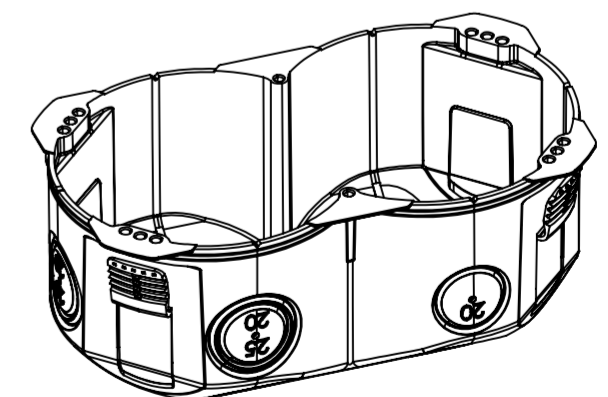
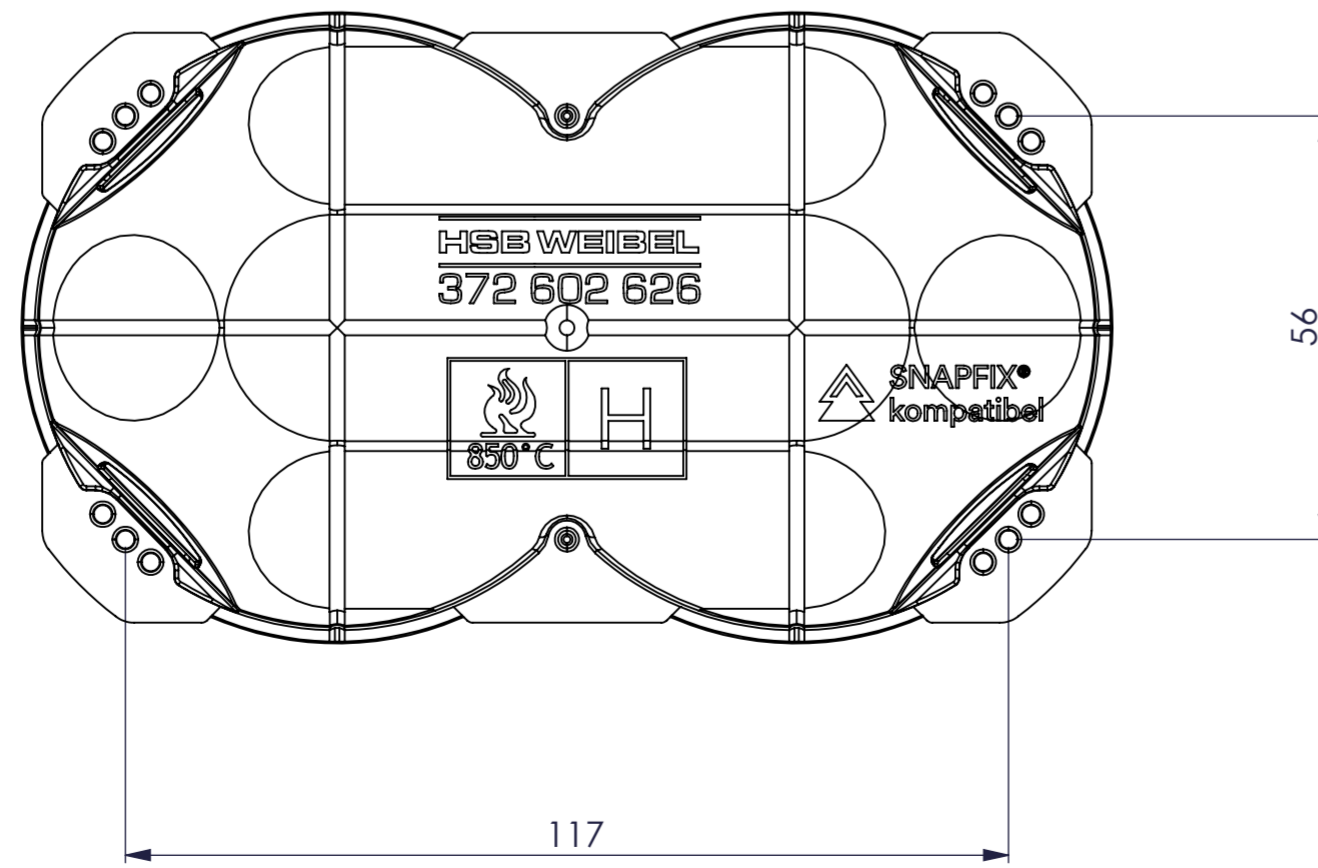
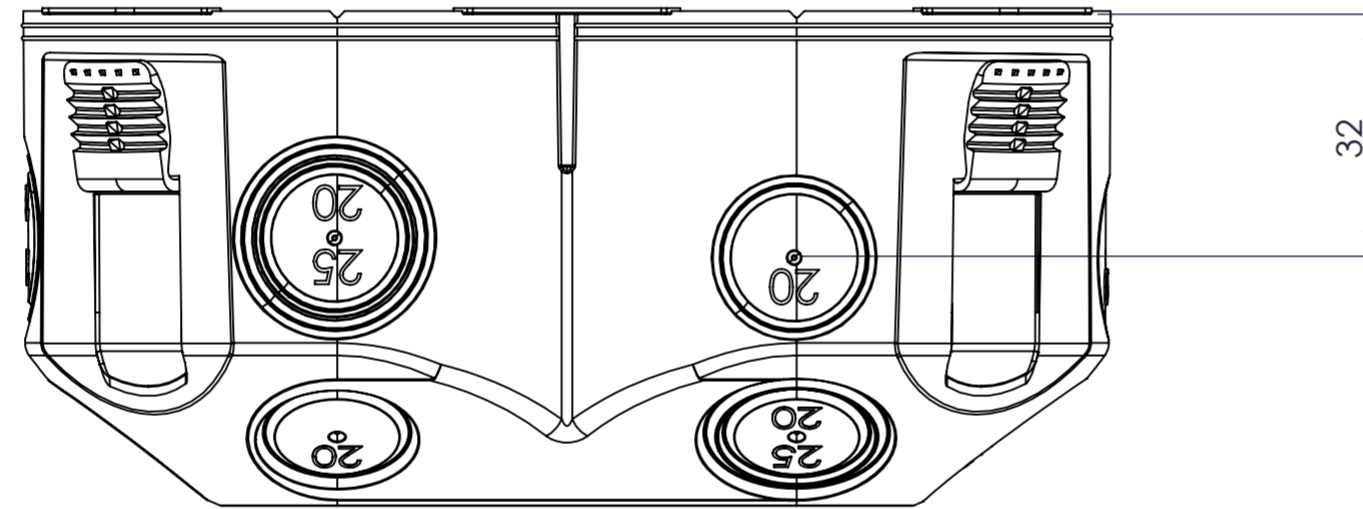
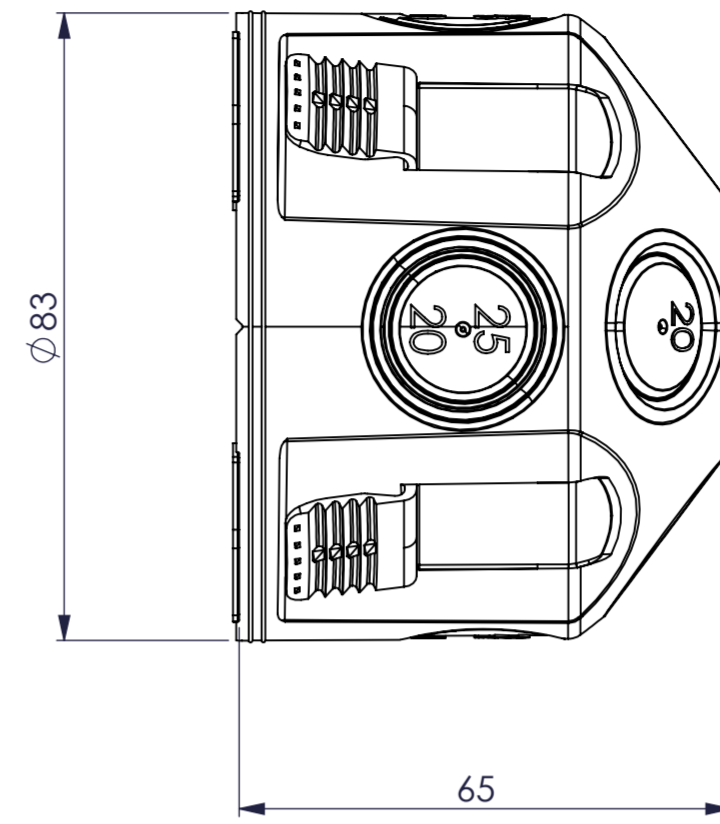
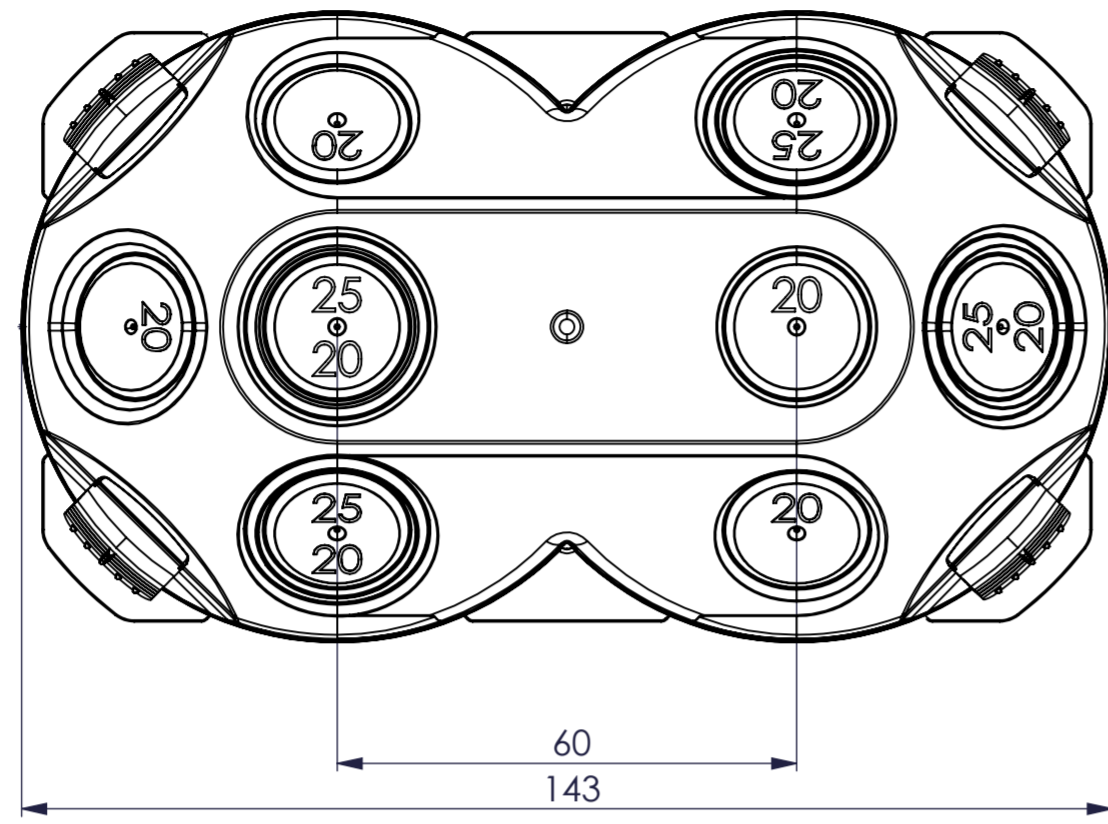
E

D

C

B

A



1:2

Bohrungsdurchmesser 83mm

HSB WEIBEL		HSB Hohlwanddose D83 Basic 2x1 65mm			
We reserve all intellectual property rights in connection with this document		Name			
created by	07.12.2023	STT	1:1 Scale	DWG	372 602 626
approved by	07.12.2023	STT			
		Doc-Code		Part Number	
				Revision	

12

11

10

9

8

7

6

5

4

3

2

1

A